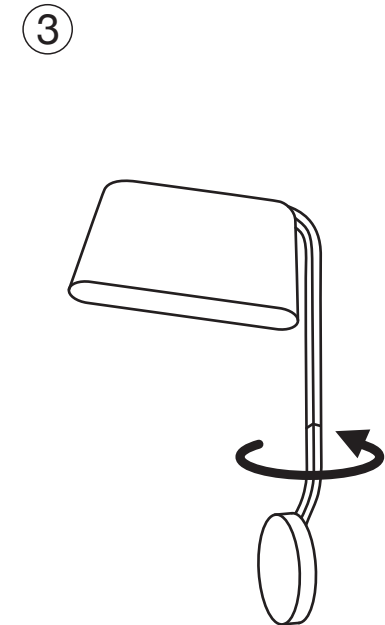
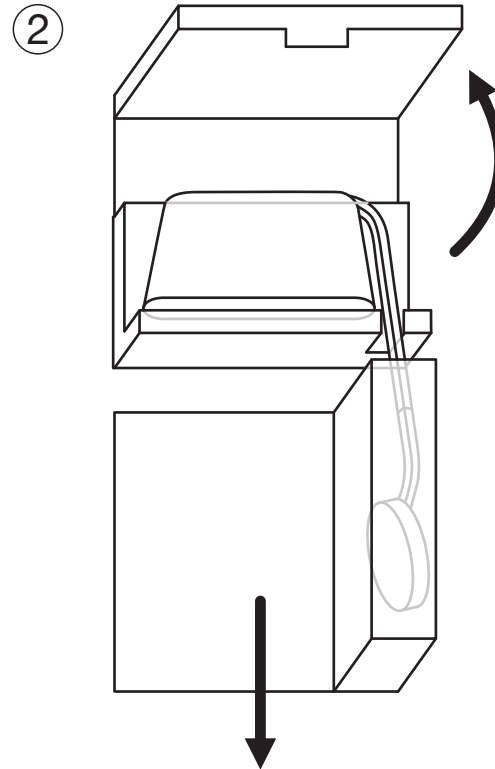
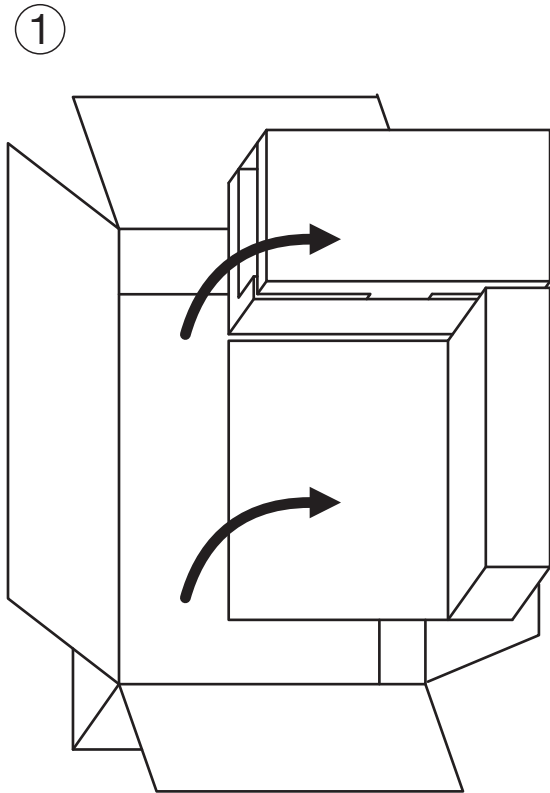


Owalo 7030 | Instructions

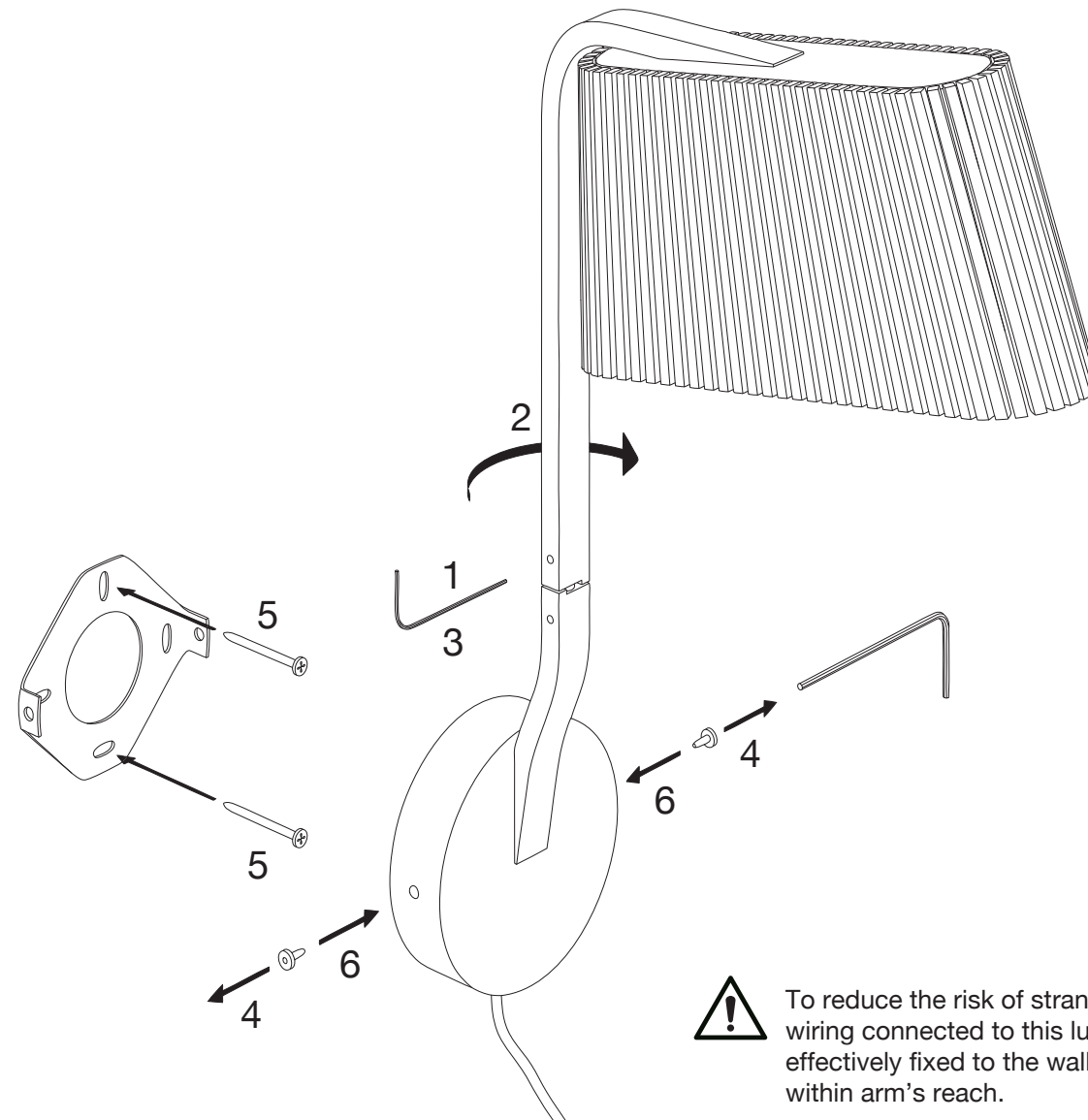
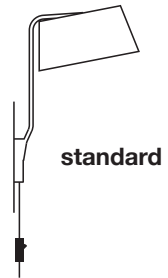
Secto
DESIGN



The cable and the built-in LEDs can only be replaced by the manufacturer.

Owalo 7030 wall lamp | Instructions with cable and switch

Secto
DESIGN

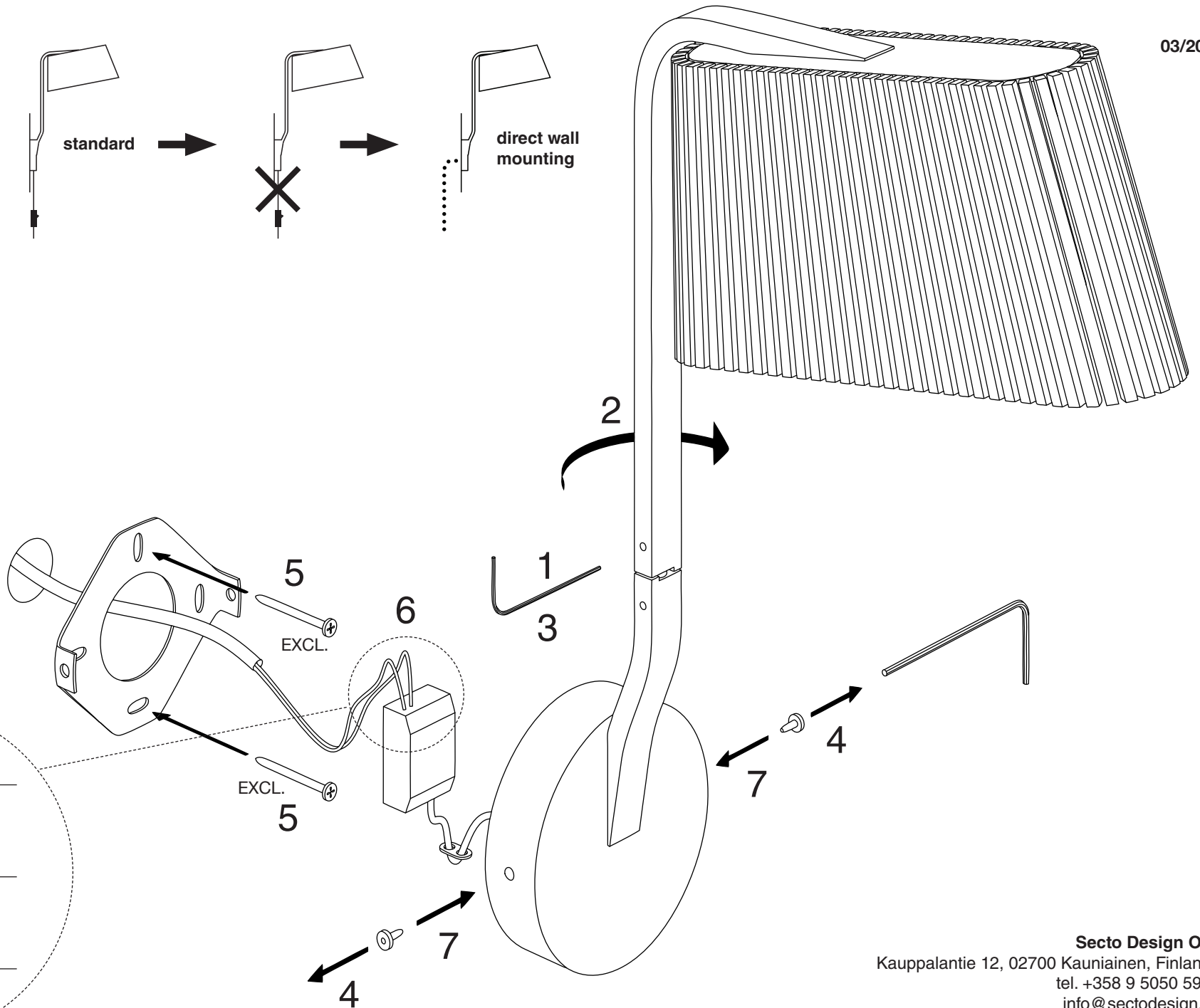
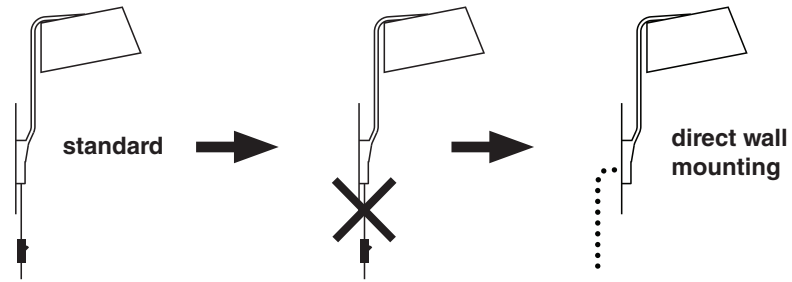


To reduce the risk of strangulation the flexible wiring connected to this luminaire shall be effectively fixed to the wall if the wiring is within arm's reach.

Secto DESIGN

Owalo 7030

03/2020



Connections

CN1	Function
L	VAC in (L)
N	VAC in (N)
CN2	Function
+	LED+
-	LED-

Secto Design Oy
 Kauppalantie 12, 02700 Kauniainen, Finland
 tel. +358 9 5050 598
 info@sectodesign.fi
 www.sectodesign.fi